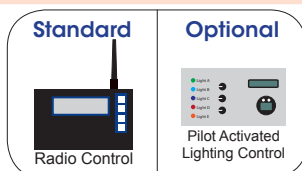


Radio Controlled Solar Helipad Floodlight

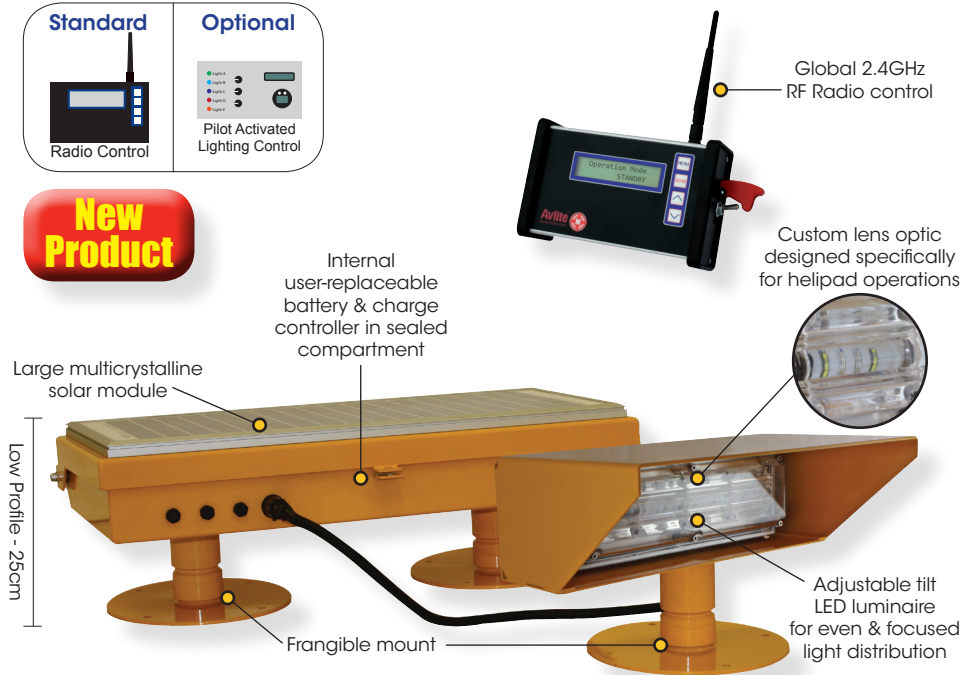
AV-FL-RF-SOL

Features

- High intensity, energy efficient LEDs
- Solar powered for autonomous operation
- Low profile to suit industry requirements
- Custom lens optic designed specifically for helipad operations
- Angle of tilt of the luminaire is easily adjusted to maximise helipad illumination
- Worldwide 2.4GHz Encrypted RF Radio Control
- Weather resistant enclosure
- User-replaceable battery
- External battery charging port
- Mains powered option available for existing hardwired installations



New Product



Avlite's solar powered, wireless controlled LED floodlight has been specifically designed for helipads to provide uniform surface lighting where the TLOF and FATO lights need to be supplemented with floodlighting. It offers a solar-powered, LED based solution to the ICAO touchdown and lift-off area perimeter floodlights.

The self-contained solar powered light has an integrated solar and battery system, which means it can be installed in locations which do not have access to reticulated power - allowing safe illumination without the need to lay costly cabling or utilise generators.

The unit also comes with an external battery charging port to assist in keeping batteries charged when in storage. This allows fast charging for demanding usage profiles or for poor solar environments.

Housed in a weatherproof, powder-coated aluminium enclosure to withstand the harshest of environments, the complete assembly has a low profile of less than 25cm and mounts to frangible points.

The LED optic is specifically designed for helipad operations, and distributes the light evenly across the wide helipad surface. The angle of tilt of the LED luminaire can be easily adjusted to focus the light on the helipad to maximise illumination. The optic hood further prevents potential glare to pilots upon approach.

Avlite's solar powered floodlight utilizes the same wireless controller as the AV-425-RF and AV-70-RF models. This allows the single Avlite controller to control multiple Avlite fixtures including the solar range of; taxiway lights, approach lights, obstruction lights, lighted windsock and other products.

All fixtures, including the floodlight, can be wirelessly operated independently of each other or controlled as a single group.



Radio Controlled Solar Helipad Floodlight

AV-FL-RF-SOL

SPECIFICATIONS* *

AV-FL-RF-SOL

Light Characteristics

Light Source	LED
Available colors	White, other colors available on request
LED Life Expectancy (hours)	>100,000

Electrical Characteristics

Voltage (V)	12
Circuit Protection	Integrated
Temperature Range	-40 to 80°C

Solar Characteristics

Solar Module Type	Multicrystalline
Output (watts)	20
Solar Module Efficiency (%)	14
Charging Regulation	Microprocessor controlled

Power Supply

Battery Type	SLA (Sealed Lead Acid)
Battery Capacity (Ah)	18
Nominal Voltage (V)	12

Radio Controlled

Frequency	2.4GHz ISM Band
Compliance	FCC / CE

Physical Characteristics

Body Material	7-stage powder coated aluminium
Lens Material	LEXAN® Polycarbonate - UV stabilized
Mounting	Frangible mount
Height (mm/inches)	250 / 9¾
Length (battery housing)(mm/inches)	674 / 26½
Length (illuminare housing)(mm/inches)	406 / 16
Width (battery housing)(mm/inches)	332 / 13 1/8
Width (illuminare housing)(mm/inches)	230 / 9
Mass (kg/lbs)	18.4 / 40½
Product Life Expectancy	Up to 12 years

Environmental Factors

Humidity	0 to 100%, MIL-STD-810F
Icing	22kg per square inch
Wind Speed	Up to 160kph

Certifications

CE	EN61000-6-3:1997, EN61000-6-1:1997
Quality Assurance	ISO9001:2008
Waterproof (electronic enclosures)	IP68

Intellectual Property

Trademarks: AVLITE® is a registered trademark of Avlite Systems

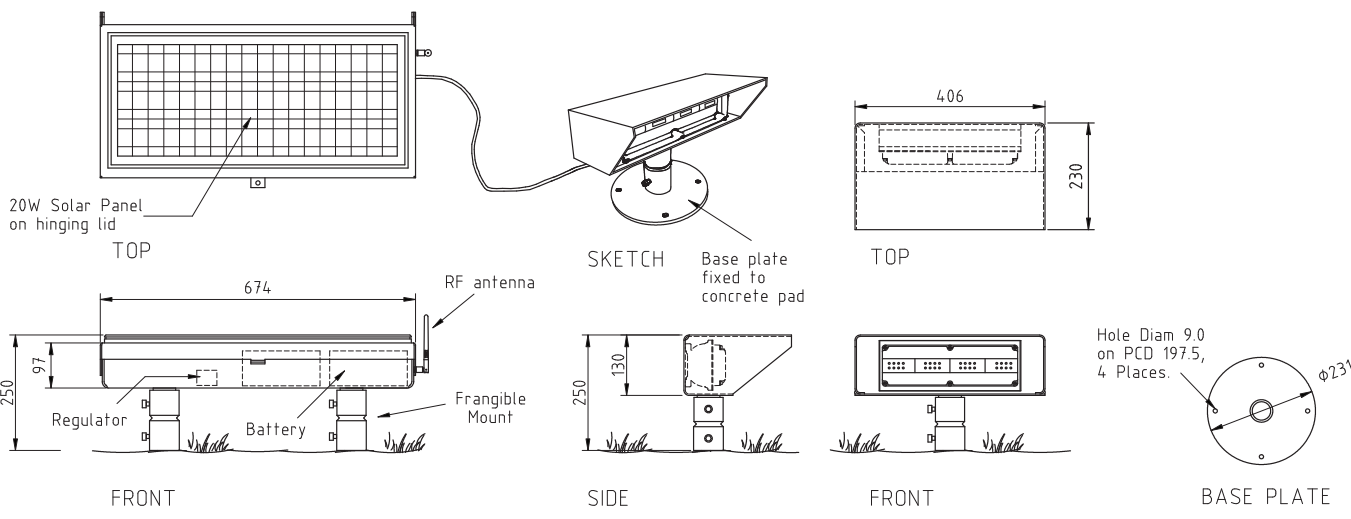
Warranty*: 3 year warranty

Options Available:

- Avlite Pilot Activated Lighting Control
- Mains power



* Specifications subject to change or variation without notice



Avlite Systems
 AUSTRALIA
 t: +61 (0)3 5977 6128

USA
 t: +1 (603) 737 1310

w: www.avlite.com
 e: info@avlite.com

